



# SAM - 451 Tensioning Shirt Finisher Plus

for **Shirts, Blouses, Lab Coats**, etc.

## FEATURES:

- **Hand finished look**  
with no broken buttons  
little or no touch-ups
- **All size garments, large & small**  
extra large or extra small shirts  
extra large or extra small blouses  
(down to size 2 in ladies' blouses)
- **Spandex®** and other hard to press fabrics
- **All styles, cuts, and heavy starch**
- **No shine or discoloration** on  
dark colored garments
- **Height adjustable:**  
easy to load short garments (shirts, blouses)  
raise the form for tall garments
- **Simple to operate**  
no experience needed
- **Efficient**
  - Press body & sleeves in one operation
  - Electric Eye – automatically finds the proper length of the garment
- **Self-contained Vacuum**
  - allows operator to properly position the shirt
- **9 programs** for steam, steam/air and air cycles



SAM- 451 Tensioning Shirt Finisher

For Laundry	Dry Cleaning	Wet Cleaning
Press damp, laundered shirts, blouses, lab coats produces 35-40 shirts / hr	Press dry cleaned blouses, men's and ladies' jackets (suit and casual), etc.	Press wet cleaned jackets & other garments; <i>special shoulder incline adjustment for jackets</i>

DISTRIBUTED BY:

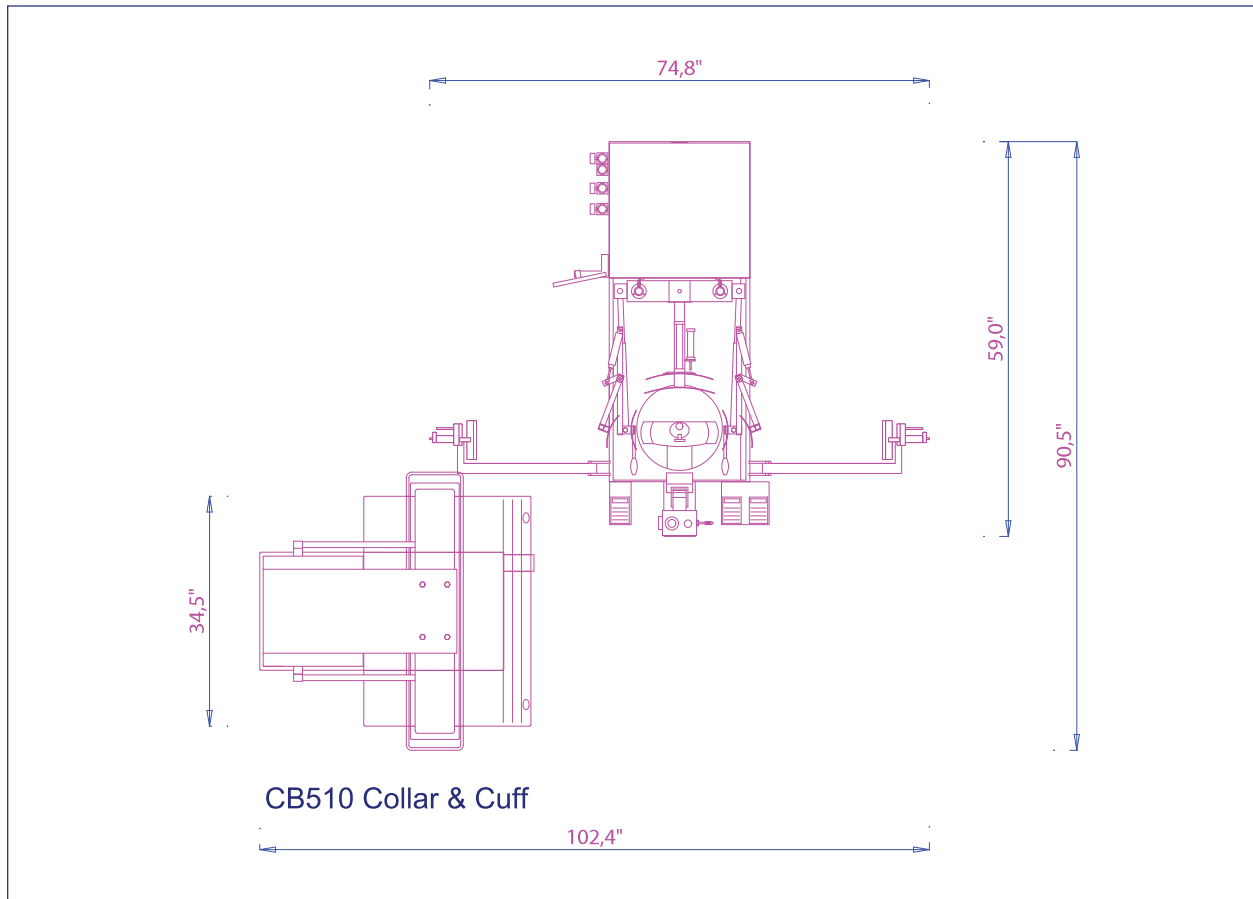


## EUROPEAN FINISHING EQUIPMENT Corp.

610 WASHINGTON AVE., CARLSTADT, N.J. 07072  
 TELEPHONE: (201) 460-7397 FAX: (201) 964-1404  
 e-mail: sales@histeam.com  
 web: www.histeam.com  
**TOLL FREE: (888) 460-9292**



## SAM - 451 Tensioning Shirt Finisher Plus



Electricity	220V, 3 Ph, 20 A
Air Pressure	80 PSI
Steam Consumption	44-88 LBS/ HR
Machine Size / Arms folded (approximate)	24.0"(W) x 60"(D)
Machine Size / Arms fully extended	74.8"(W) x 60"(D)
Net Weight	660 LBS

### **EUROPEAN FINISHING EQUIPMENT Corp.**

610 WASHINGTON AVE., CARLSTADT, N.J. 07072

TELEPHONE: (201) 460-7397 FAX: (201) 964-1404

e-mail: [sales@histeam.com](mailto:sales@histeam.com)

web: [www.histeam.com](http://www.histeam.com)

**TOLL FREE: (888) 460-9292**