



TURBO-483

Tensioning Shirt Finisher

for **High Production** with **Hand Finished Quality** + **Energy Saver**

FEATURES:

- High Production - - 50-60 shirts per hour
Super-heated form for shoulder & sleeve vent for fast drying
- Efficient
 - ◆ automatic sensing of shirt length for rapid loading
 - ◆ press body & sleeves in one operation
 - ◆ automatic change between long & short sleeve shirts with double sleeve clamps and joystick controls
- No broken buttons, little or no touch-ups
- Simple to operate; no experience needed
- Versatile:
 - ◆ All size shirts, small to large (3XL)
 - ◆ All fabric types (cotton, linen, silk, Spandex, etc.)
 - ◆ Soft to heavy starch
 - ◆ No shine or discoloration on dark colored shirts
- NEW Energy Saver - 25% less steam consumption + cooler work area for operator comfort
- Patent Pending



SPECIFICATIONS:

Electricity	220V 3PH 16 AMP
Air Pressure	80 PSI
Steam Consumption	30-45 KG/HR
Machine Size	55" (W) X 51" (D) X 91" (H)
Machine Size (with Arms Fully Extended)	98.4"
Net Weight	815 Lbs
Shipping Weight	880 Lbs

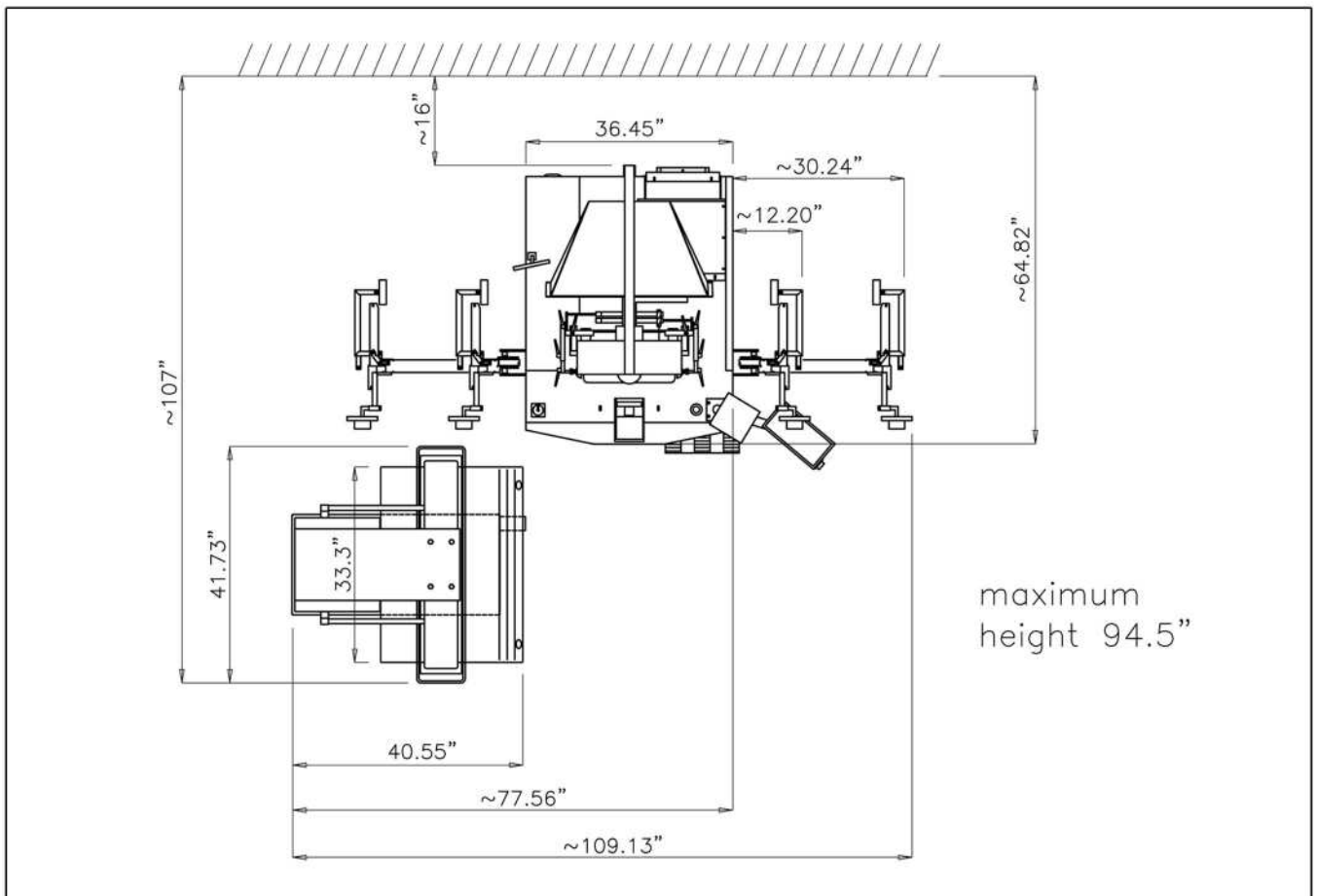
*Features and Specifications subject to change without notice

DISTRIBUTED BY:

EUROPEAN FINISHING EQUIPMENT CORP.

610 WASHINGTON AVE., CARLSTADT, N.J. 07072
 TEL: 201 460-7397 . FAX 201 964-1404
 E-MAIL: SALES@HISTEAM.COM
 WWW.HISTEAM.COM
 TOLL FREE 888 460-9292

TURBO-483 *Tensioning Shirt Finisher*



TURBO-483 shown with CB-510 Collar & Cuff Press in typical layout